

REV.:

DATE:

REV. BY:

DRN. BY: J. TEMPLIN

CHECK: J. EVANS

APPR: I. ZIMMERMAN

DATE: 04/27/15

SCALE:

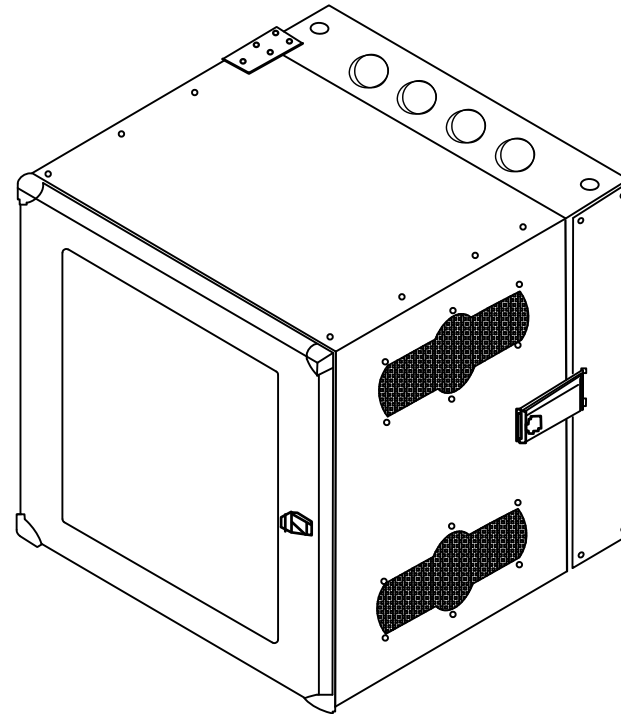
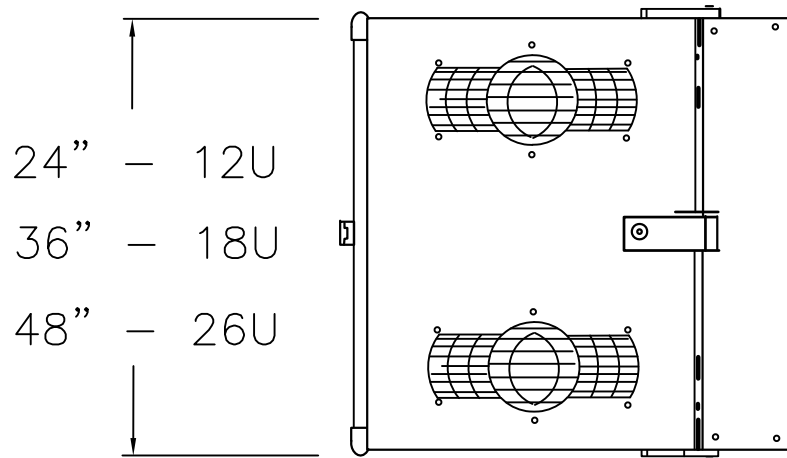
NTS

CAD NAME:

WL-MT-IDF.DWG

DWG. NO.:

WL-MT-IDF



Wall-Mounted Cuib-iT Plus Cabinet System