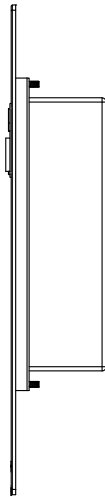
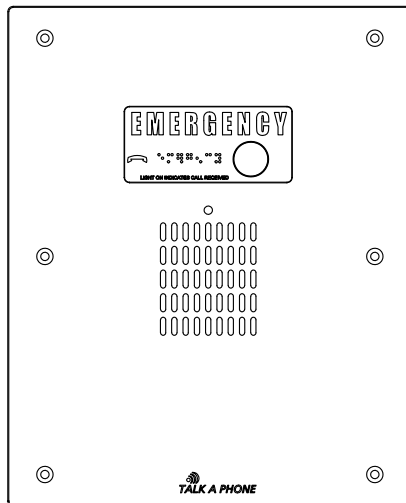


PROVIDED BY INFRASTRUCTURE CONTRACTOR:



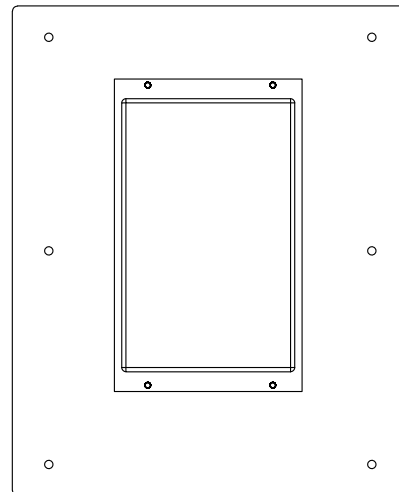
SIDE VIEW

PROVIDED BY CABLE PLANT CONTRACTOR:



FRONT VIEW

Emergency Model ETP-100EBV-CR



REAR VIEW



UW-IT

FACILITIES
PLANNING
AND
DESIGN

TALK-A-PHONE
AREA OF REFUGE
911 PHONE
MANAGED BY
EH&S

DRN. BY: J. Templin

CHECK: D. Shackelford

APPR: L. Zimmerman

DATE: 01/29/16

REV.: 1 DATE: 01/29/16

REV. BY: J. Templin

SCALE:

SCALE/NTS

CAD NAME:

EMERG-PH-2

DWG. NO.:

PH_CIF-5